

## KUBE 18/10 STAINLESS STEEL INSET OR UNDERMOUNT SINK

KUBE40/



**Size: 440 x 440 mm**

The Kube undermount kitchen sink collection creates a geometric effect thanks to its dramatic 10mm radii corner profiling. The newly designed Kube range is equipped with dual fix fittings and enhanced with an upgraded waste kit and cover.

- Dual installation methods with both clips included, choose to either inset or undermount fit the Cubix range
- Slim profile top plate which sits flat against worktop when fitted as inset
- Hygienic rectangular overflow design
- Waste kit and waste cover included

# RANGEMASTER

## SINKS & TAPS

|                         |   |
|-------------------------|---|
| Material                | 18/10 Stainless Steel                                     |
| Material Gauge          | 1.0   |
| Material Finish Bowl    | Micro-Sheen™ Soft Brushed Finish                          |
| Material Finish Drainer | Micro-Sheen™ Soft Brushed Finish                          |
| Drainer Position        |   |
| Overall Length (mm)     | 440   |
| Overall Width (mm)      | 440   |
| Main Bowl Length (mm)   | 400   |
| Main Bowl Width (mm)    | 400   |
| Main Bowl Depth (mm)    | 200   |
| Second Bowl Length (mm) | -   |
| Second Bowl Width (mm)  | -   |
| Second Bowl Depth (mm)  | -   |
| Tap hole Size (mm)      |   |
| Waste Size (mm)         | 1 x 90  |
| Waste Kit               | Included with sink (1 x 90mm square BSW and overflow kit) |
| Min. Base Unit (mm)     | 500   |
| Cutout Size Length (mm) | 400 (undermount) / 424 (inset)                            |
| Cutout Size Width (mm)  | 400 (undermount) / 424 (inset)                            |
| Warranty Sinks (years)  | 25  |
| Product Code            | KUBE40/   |
| Barcode                 | 5015834057101   |

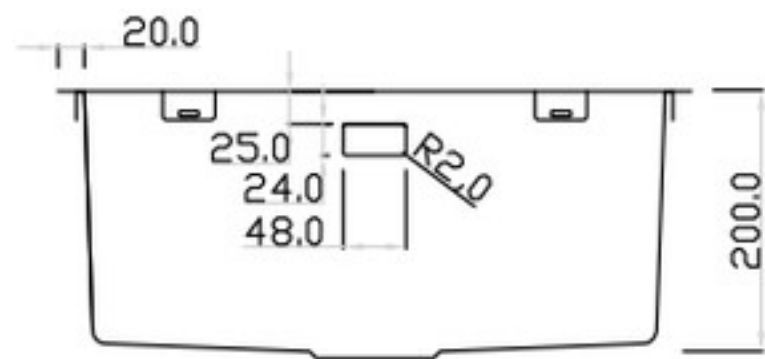
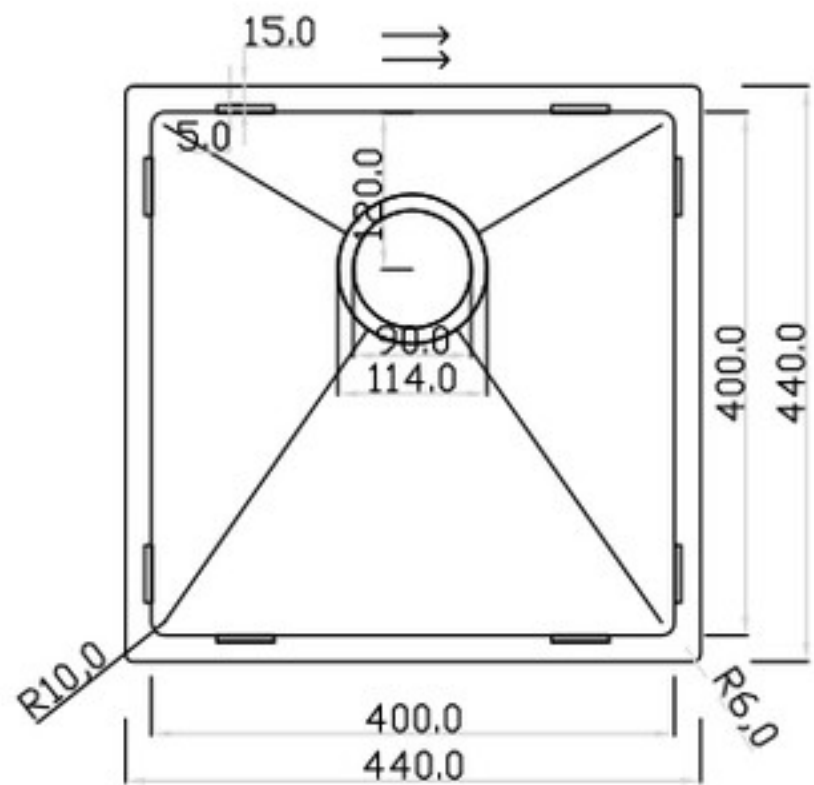
Date of download: October 15, 2024

AGA Rangemaster continuously seeks improvements in specification, design and production of products and thus, alterations take place periodically. Whilst every effort is made to produce up-to date resources, the information included here is intended as a guide. Always refer to the product's installation instructions when fitting, installation work should be completed a professional tradesman.

## **KUBE 18/10 STAINLESS STEEL INSET OR UNDERMOUNT SINK**

KUBE40/

**Technical Drawing**



Date of download: October 15, 2024

AGA Rangemaster continuously seeks improvements in specification, design and production of products and thus, alterations take place periodically. Whilst every effort is made to produce up-to date resources, the information included here is intended as a guide. Always refer to the product's installation instructions when fitting, installation work should be completed a professional tradesman.

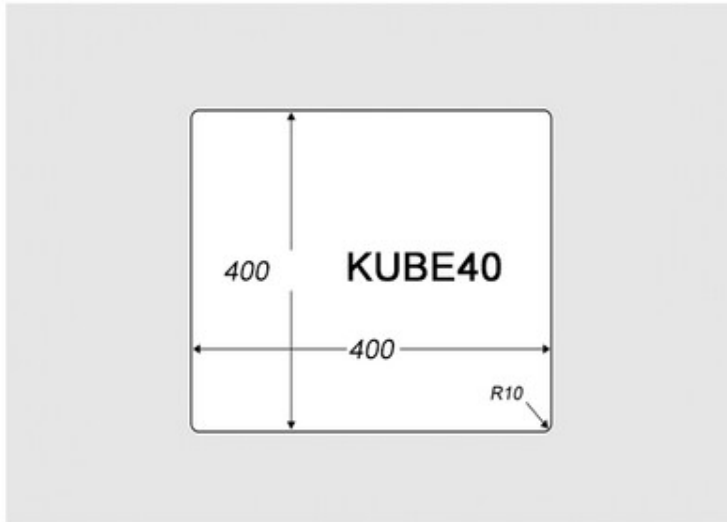
## **KUBE 18/10 STAINLESS STEEL INSET OR UNDERMOUNT SINK**

KUBE40/

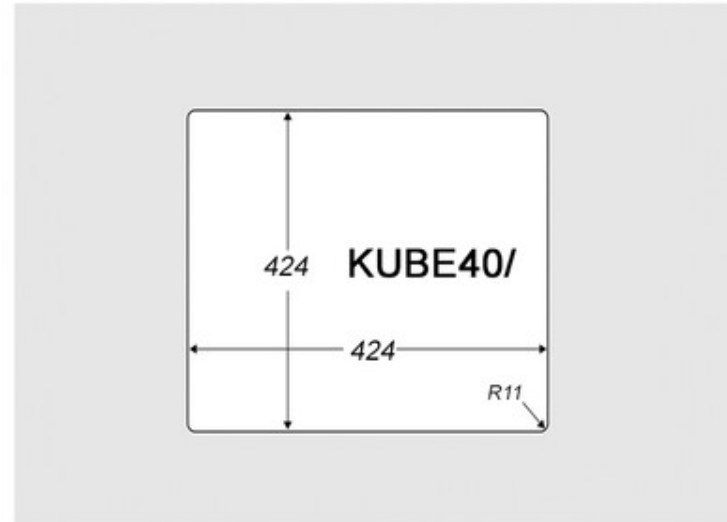
### **Cut Out Template**

Dimensions in mm. Not to scale.

## Undermount Installation



## Inset Installation



Date of download: October 15, 2024

AGA Rangemaster continuously seeks improvements in specification, design and production of products and thus, alterations take place periodically. Whilst every effort is made to produce up-to date resources, the information included here is intended as a guide. Always refer to the product's installation instructions when fitting, installation work should be completed a professional tradesman.